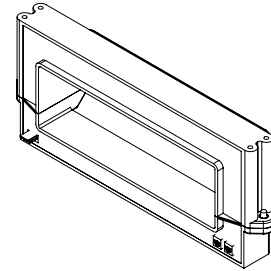


Current Transducer HOP 2000-SB/SP1

For the electronic measurement of currents: DC, AC, pulsed..., with galvanic isolation between the primary circuit (high power) and the secondary circuit (electronic circuit).



$I_{PN} = 2000 \text{ A}$



Electrical data

I_{PN}	Primary nominal current rms	2000	A
I_{PM}	Primary current, measuring range	± 3000	A
V_{OUT}	Output voltage (Analog)	± 4	V
R_L	Load resistance	> 10	k Ω
V_C	Supply voltage ($\pm 5\%$)	$\pm 12 \dots 15$	V
I_C	Current consumption (max)	20	mA

Accuracy - Dynamic performance data

X	Accuracy ¹⁾ @ I_{PN} , $T_A = 25^\circ\text{C}$, @ $\pm 12 \dots 15 \text{ V}$ ($\pm 5\%$)	$\leq \pm 2$	%
ϵ_L	Linearity error	$\leq \pm 1$	%
V_{OE}	Electrical offset voltage @ $I_P = 0$, $T_A = 25^\circ\text{C}$	Typ ± 10 Max ± 20	mV
V_{OM}	Magnetic offset voltage @ $I_P = 0$ and specified R_M , after an overload of $3 \times I_{PN}$	± 10 ± 20	mV
V_{OT}	Temperature variation of V_O - $10^\circ\text{C} \dots +70^\circ\text{C}$	± 15 ± 30	mV
$TC\epsilon_G$	Thermal drift of the gain, $T_A = -10 \dots +70^\circ\text{C}$	± 15 ± 30	mV
t_r	Response time to 90 % of I_{PN} step	< 10	μs
di/dt	di/dt accurately followed	50	A/ μs
BW	Frequency bandwidth (-1 dB)	DC .. 4	kHz

General data

T_A	Ambient operating temperature	$-10 \dots +70$	$^\circ\text{C}$
T_S	Ambient storage temperature	$-25 \dots +85$	$^\circ\text{C}$
m	Mass	820	g
	Standard	EN 50178	

Features

- Open loop Hall effect transducer
- Busbar mounting or panel mounting
- Isolated plastic case recognized according to UL 94-V0.

Advantages

- Low power consumption
- Split core easy for mounting
- High isolation between the primary and the secondary circuits
- Through-hole, no insertion losses.

Applications

- Power supplies for TELECOM (monitoring and measuring)
- Uninterruptible Power Supplies (UPS)
- Chooper
- Electrical chemistry
- Battery supplied applications
- Switched Mode Power Supplies (SMPS).

Application domain

- Industrial.

Note: ¹⁾ Excludes the electrical offset.

Current Transducer HOP 2000-SB/SP1

Isolation characteristics

V_d	Rms voltage for AC isolation test, 50 Hz, 1 min	3	kV
\hat{V}_w	Impulse withstand voltage 1.2/50 μ s	> 6	kV
V_e	Partial discharge extinction voltage rms	> 1.5	kV
		Min	
dCp	Creepage distance ¹⁾	21	mm
dCI	Clearance distance ²⁾	15.9	mm
CTI	Comparative Tracking Index (group IIIa)	250	

Applications examples

According to **EN 50178** and **IEC 61010-1** standards and following conditions:

- Over voltage category OV 3
- Pollution degree PD2
- Non-uniform field

	EN 50178	IEC 61010-1
dCp, dCI, \hat{V}_w	Rated isolation voltage	Nominal voltage
Single isolation	1000 V	1000 V
Reinforced isolation	500 V	500 V

Notes: ¹⁾ On housing from pin to primary hole.

²⁾ On housing from pin to primary hole.

Safety



This transducer must be used in electric/electronic equipment with respect to applicable standards and safety requirements in accordance with the manufacturer's operating instructions.



Caution, risk of electrical shock

When operating the transducer, certain parts of the module can carry hazardous voltage (eg. primary busbar, power supply).

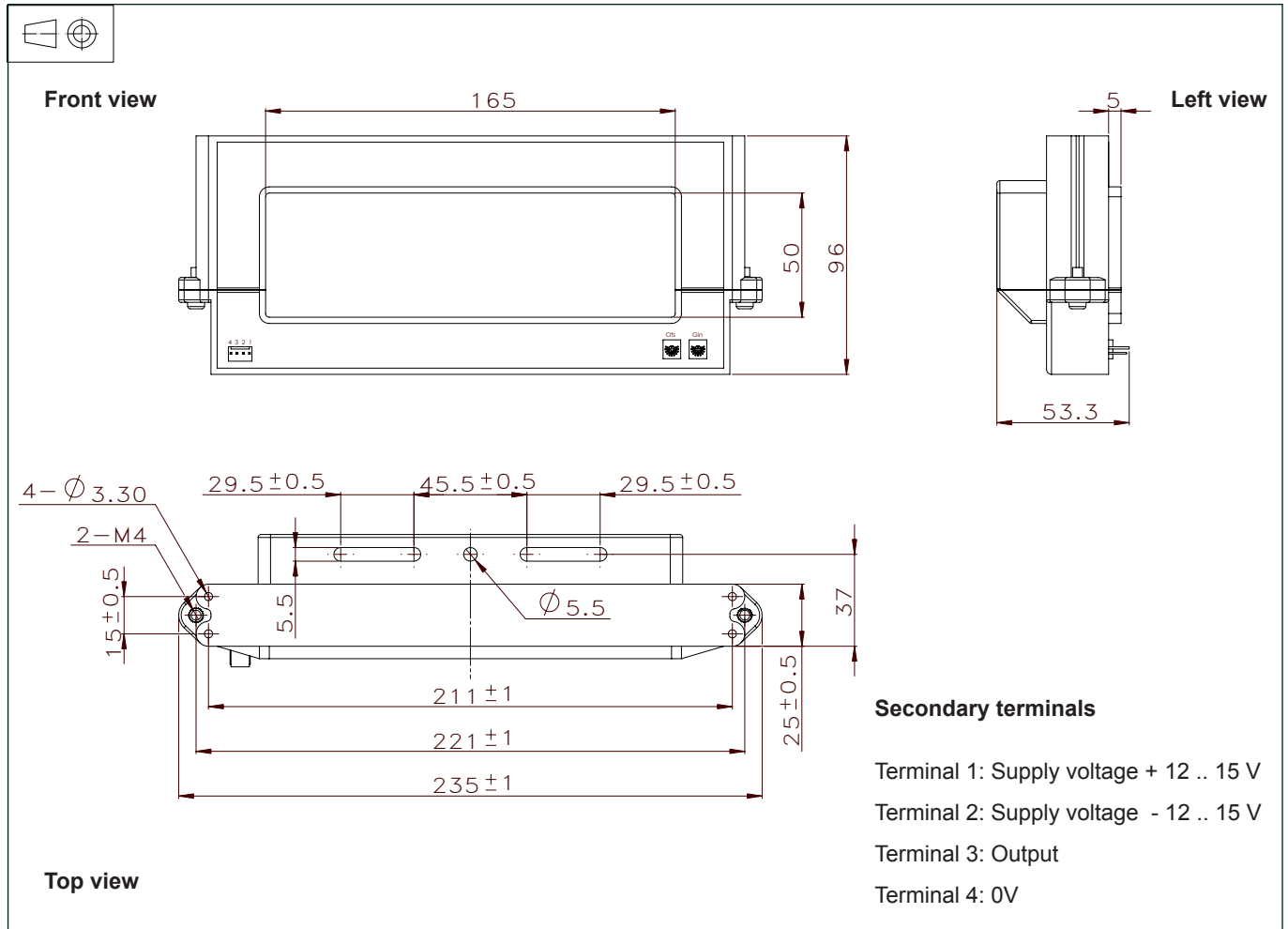
Ignoring this warning can lead to injury and/or cause serious damage.

This transducer is a build-in device, whose conducting parts must be inaccessible after installation.

A protective housing or additional shield could be used.

Main supply must be able to be disconnected.

Dimensions HOP 2000-SB/SP1 (in mm. 1 mm = 0.0394 inch)



Mechanical characteristics

- General tolerance ± 1 mm
- Primary aperture 165 x 50 mm
- Busbar fastening 1 hole \varnothing 5.5 mm and 2 slots 5.5 x 29.5 mm
- Panel mounting 4 holes \varnothing 3.3 mm
- Distance between holes axes 15 x 211 mm
- Connection of secondary MOLEX 5045-04/AG

Remarks

- V_{OUT} is positive when I_p flows in the direction of the arrow.
- The return busbar and primary conductor elbow must be located at least at 2.5 x window length more far away from the transducer case.
- Temperature of the primary busbar cannot exceed 90°C.
- Dynamic performances are best with a primary busbar completely filling the primary aperture.